

Safety Instructions

WARNING

Follow carefully this safety and installation instructions. Improper work may lead to serious harmful for your health and also may damage seriously the IntesisBox and/or any other equipment connected to it.

- IntesisBox must be installed by accredited electrician or similar technical personnel, following all the safety instructions given here, and in accordance always with the country legislation for installation of electric equipment.
- IntesisBox can not be installed outdoors or exposed to direct solar radiation, water, high relative humidity or dust.
- IntesisBox must only be installed in a restricted access location
- In wall mount, fix firmly IntesisBox on a not vibrating surface following the instructions below.
- Mounting inside a metallic cabinet properly connected to earth is recommended.
- Disconnect always power of any wires before manipulating and connecting them to IntesisBox.
- Respect always the expected polarity of power and communication cables when connecting them to IntesisBox.
- Supply always a correct voltage to power IntesisBox, see details of voltage range admitted by the device in the technical characteristics below.
- This device was designed for installation in an enclosure. To avoid electrostatic discharge to the unit in environments with static levels above 4 kV precautions should be taken when the device is mounted outside an enclosure. When working in an enclosure (ex. making adjustments, setting switches, etc.) typical anti-static precautions should be observed before touching the unit.

Installation instructions

- Disconnect the mains power and power of any bus or communication cable before connecting it to IntesisBox.
- Mount IntesisBox following the instructions given below, respecting the safety instructions given above.
- Connect the mains power cable to the supply voltage terminal block of IntesisBox.
- Circuit-breaker must be used before the mains power cable. Rating 250V-6A
- Connect the communication cables to IntesisBox, see details on the user's manual.
- Power IntesisBox and the rest of devices connected to it.

Configuration and setup

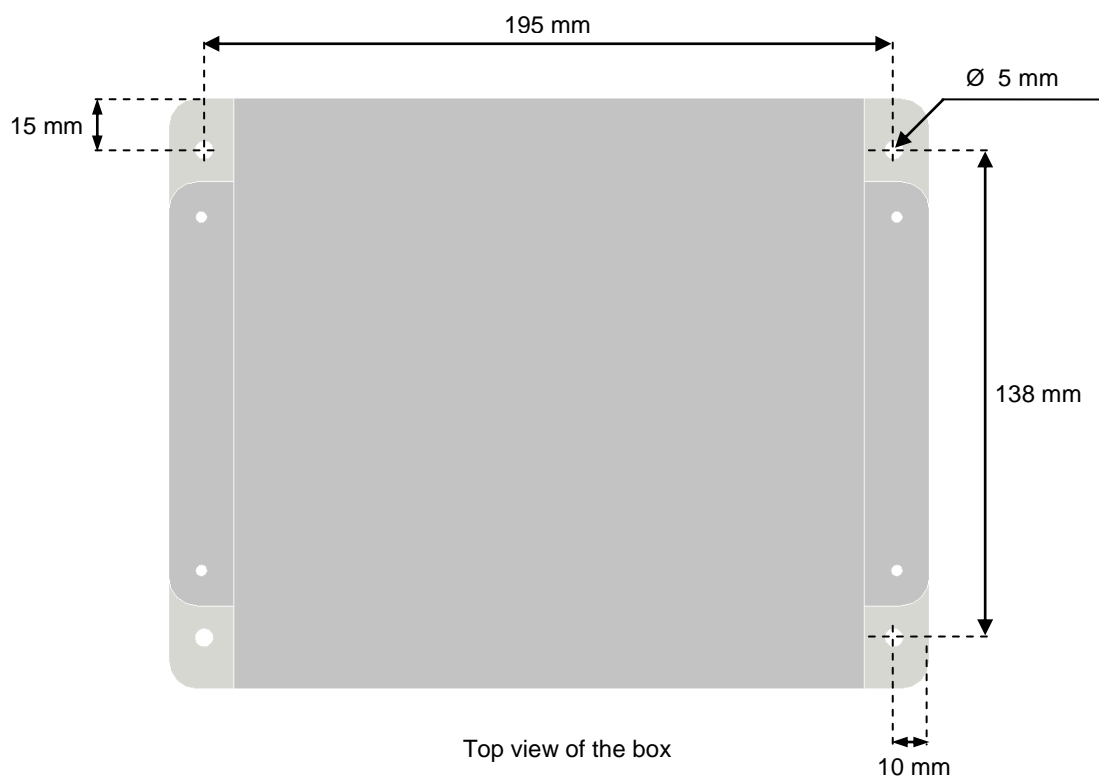
Use the software LinkBoxEIB to configure IntesisBox, follow the instructions of the user's manual for more details.

See instructions to download and install the latest version of LinkBoxEIB and the user's manual at

<http://www.intesis.com/down/eib/linkboxeib.html>

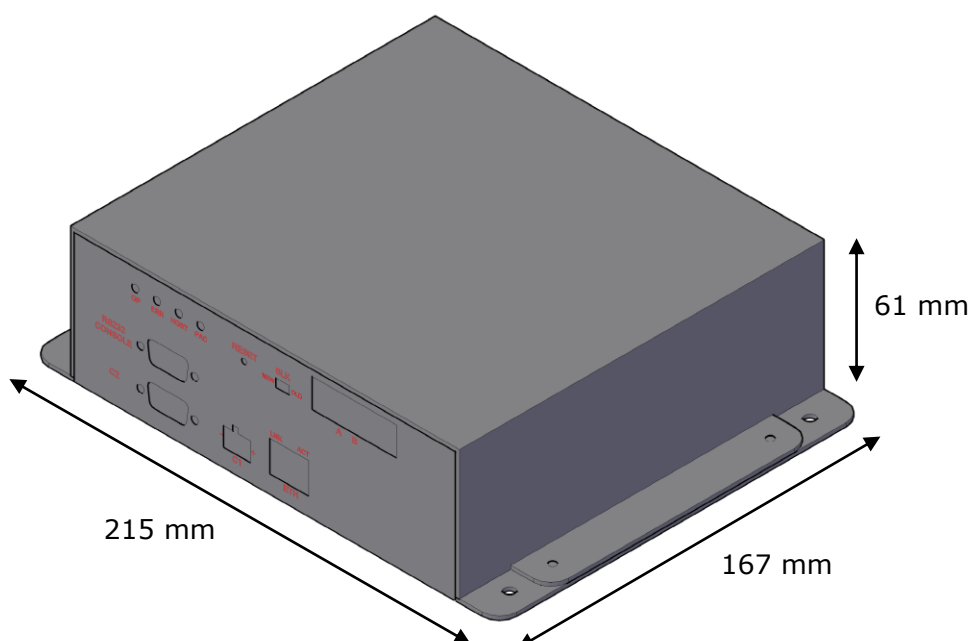
Wall mount

Use the holes to fix the box in the wall using screws. Use the template below for the wall holes:

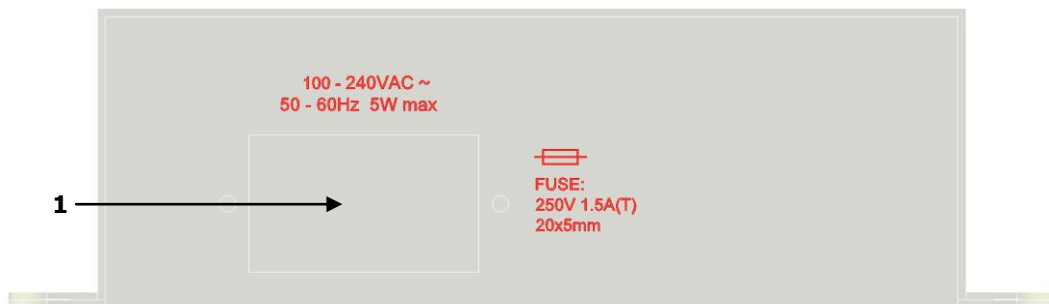


Dimensions

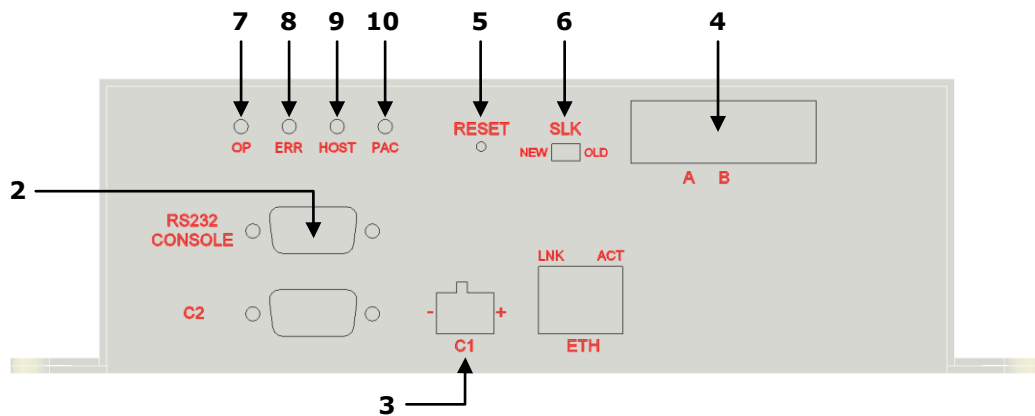
External dimensions.



Connections and indications



Device back view



Device front view

Notes:

1. Mains power connection: 230VAC (see section Technical Characteristics). The device provides switch and a protection fuse. Use the supplied cable with IntesisBox (1,6m).
2. Console connection: Connect the supplied console cable with IntesisBox (1.8 meters long, standard DB9 male-DB9 female) between your PC and the console port of the device. Use the software LinkBoxEIB to configure IntesisBox. See the user's manual for details.
3. KNX connection: Connect the KNX bus to the KNX connector of IntesisBox (C1). Respect the polarity.
4. A-B connection: Connect the SuperLink® bus coming from the Mitsubishi Heavy Industries AC to the connector A-B of IntesisBox. Respect the polarity, and consult your distributor for more details.
5. The device provides a "RESET" button.
6. The device provides a selector to choose the SuperLink® bus type. If it belong to the OLD version (SuperLink® 1), or to the NEW version (SuperLink® 2).
7. OP led: indication that the device is operative.
8. ERROR led: the led is ON when there is a communication error.
9. HOST led: the led is blinking when there is connectivity between the two circuits that compose IntesisBox.
10. PAC led: the led is blinking when there is activity in the SuperLink® bus, ie when there is communication between IntesisBox and AC system.

Technical characteristics

| | |
|--|--|
| Enclosure | Industrial sheet metal. Size: 215mm x 167mm x 61mm. Weight: 2.025 Kg |
| Color | Gray metalized. |
| Power | 100 to 240VAC~ 50 to 60Hz 5W max. Power connector: C14 (male) ¹ |
| Fuse | 250V 1.5A Dimensions: 20x5mm |
| Terminal wiring (for low-voltage signals) | Per terminal: solid wires or stranded wires (twisted or with ferrule) 1 core: 0.75 ... 1.25mm ² 2 cores: 0.75 ... 1.25mm ² 3 cores: not permitted |
| Mounting | Wall |
| KNX port | 1 x KNX TP1 (EIB) port opto-isolated. Plug-in terminal bloc (2 poles). TNV-1 |
| A-B port | 1 x Superlink® terminals (Plug-in screw terminal block 2 poles "A" "B"). SELV |
| LED indicators | 4 x MHI Interface (OP, ERR, HOST, PAC) |
| Push buttons | 1 x Reset Device |
| Selectors | 1 x SLK selector |
| Console port | EIA232. (DB9 female DCE). SELV |
| Configuration | Via console port. ² |
| Firmware | Allows upgrades via console port. |
| Operational temperature range | 0°C to +40°C |
| Operational humidity range | 5% to 95%, non condensing |
| Protection | IP20 (IEC60529). |
| RoHS conformity | Compliant with RoHS directive (2002/95/CE). |
| Norms and standards | CE conformity to EMC directive (2004/108/EC) and Low-voltage directive (2006/95/EC) EN 61000-6-2 EN 61000-6-3 EN 60950-1 EN 50491-3 |

¹ A power cable with connector C14 male 1.6 meters long is supplied with the device.

² Standard cable DB9male-DB9female 1.8 meters long is supplied with the device for connection to a PC COM port for configuring and monitoring the device. The configuration software, compatible with Windows® operating systems, is also supplied.