

Sep 21, 2018

## **CAS-2300-18**

# CAS BACnet Command line interface

## **PRODUCT DESCRIPTION**

Chipkin BACnet Command line (CAS BACnet Cli) interface is a command line application that sends BACnet client messages and parses BACnet response from BACnet devices as human readable text or as machine readable XML.

The CAS BACnet Cli application can be used for many purposes including;

- Create scriptable end to end integration testing for BACnet server applications.
- Extending existing application to discover, integrate, write devices, objects and properties of BACnet devices.
- Testing BACnet server applications.

The CAS BACnet Cli has no dependencies and can be considered a 'plug and play' component of any network system. It's ready to operate 'out of the box' and can be installed without an engineer's approval.

Supports Windows 7-10. Linux support coming soon, please contact Chipkin for more details.

## COMMANDS

The following commands are available

- **Who-Is** - Discover BACnet devices on the local network.
- **Who-Has** - Discover BACnet devices on the local network by object name or instance number.
- **Read Property** - Get the current value of an object's property.
- **Write Property** - Set the current value of an object's property.
- **Subscribe COV** - Subscribe to changes of value for an object's property.
- **Cancel Subscribe COV** - Unsubscribe to changes of value for an object's property.
- **Register Foreign Device** - Registers a device with a BBMD.
- **Create Object** - Creates an object on a device.
- **Delete Object** - Delete an object on a device.
- **I-Am** - Sends a I-AM message.

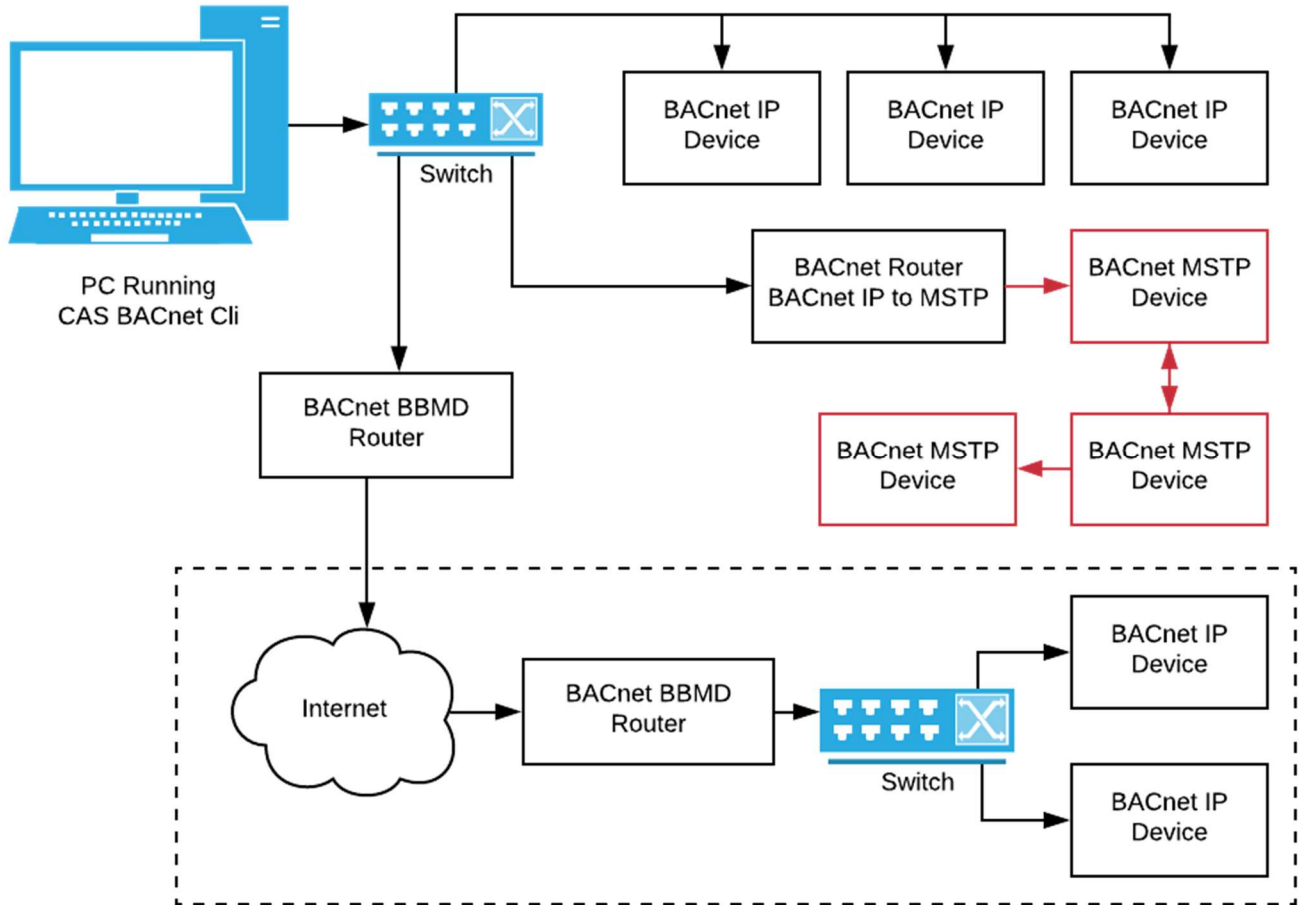
## BACNET BIBB

Supported BACnet BIBB

- **DS-RP-A:** Data Sharing - ReadProperty-A
- **DS-RPM-A:** Data Sharing - ReadPropertyMultiple-A
- **DS-WP-A:** Data Sharing - WriteProperty-A
- **DS-WPM-A:** Data Sharing - WritePropertyMultiple-A
- **DS-COV-A:** Data Sharing - Change of Value-A
- **DS-COVP-A:** Data Sharing - Change of Value Property-A
- **DS-COVU-A:** Data Sharing - Change of Value Unsubscribed-A
- **DM-DDB-A:** Device and Network Management - Dynamic Device Binding-A
- **DM-DOB-A:** Device and Network Management - Dynamic Object Binding-A
- **DM-OCD-A:** Device Management - Object Creation and Deletion-A
- **DM-UTC-A:** Device Management - UTCTimeSynchronization-A
- **DM-TS-A:** Device Management - TimeSynchronization-A
- **NM-FDR-A:** Foreign Device Registration-A

## CONNECTION CONFIGURATIONS

This block diagram lists common network connections that are used with the CAS BACnet Cli application.



## CUSTOMER SUPPORT

CAS-2300-18 CAS BACnet command line interface was developed by Chipkin, and we are proud to provide support for our products. For technical support, sales and customer service, please call us at 1 (866) 383-1657.

## REVISION HISTORY

This table summarizes the update history for this data sheet. Please contact Chipkin by phone or email for an updated version of this document.

DATE	RESP.	APPLICATION VERSION	DOCUMENT REVISION	COMMENTS
21 Sep 2018	SWS	0.1.0	00	Created.

## THANK YOU

Thanks for choosing Chipkin's protocol gateways, data clients and integration services to meet your building and industrial automation requirements!

Chipkin™ is a building and industrial automation protocol expert. We develop, configure, install and support gateways (protocol converters), data loggers and remote monitor and controlling applications. Founded in October 2000, Chipkin provides expert solutions for converting BACnet®, Modbus®, and Lonworks®—to name just a few—and enabling interfaces for HVAC, fire, siren, intercom, lighting, transportation and fuel systems. The high-quality products we offer (including those from other vendors) interface with Simplex™, Notifier™, McQuay™, GE™ and many others—so you can rest assured that we will select the most appropriate solution for your application.

With Chipkin you are buying a solution. Our configuration expertise in this field combined with free BACnet and other tools ensure your success; and our customer support via phone, email and remote desktop tools means that we're there when you need us. Chipkin is a small responsive company, and we live or die by the quality of our service—and with offices in two time zones—we can provide support when you need it. Give us a call now!

## Sales and Customer Service

**Toll free: 1-866-383-1657**

**mail: salesgroup1@chipkin.com**

All contents are Copyright © 2000-2017 Chipkin Automation Systems. All rights reserved.  
This document is Chipkin Public Information.